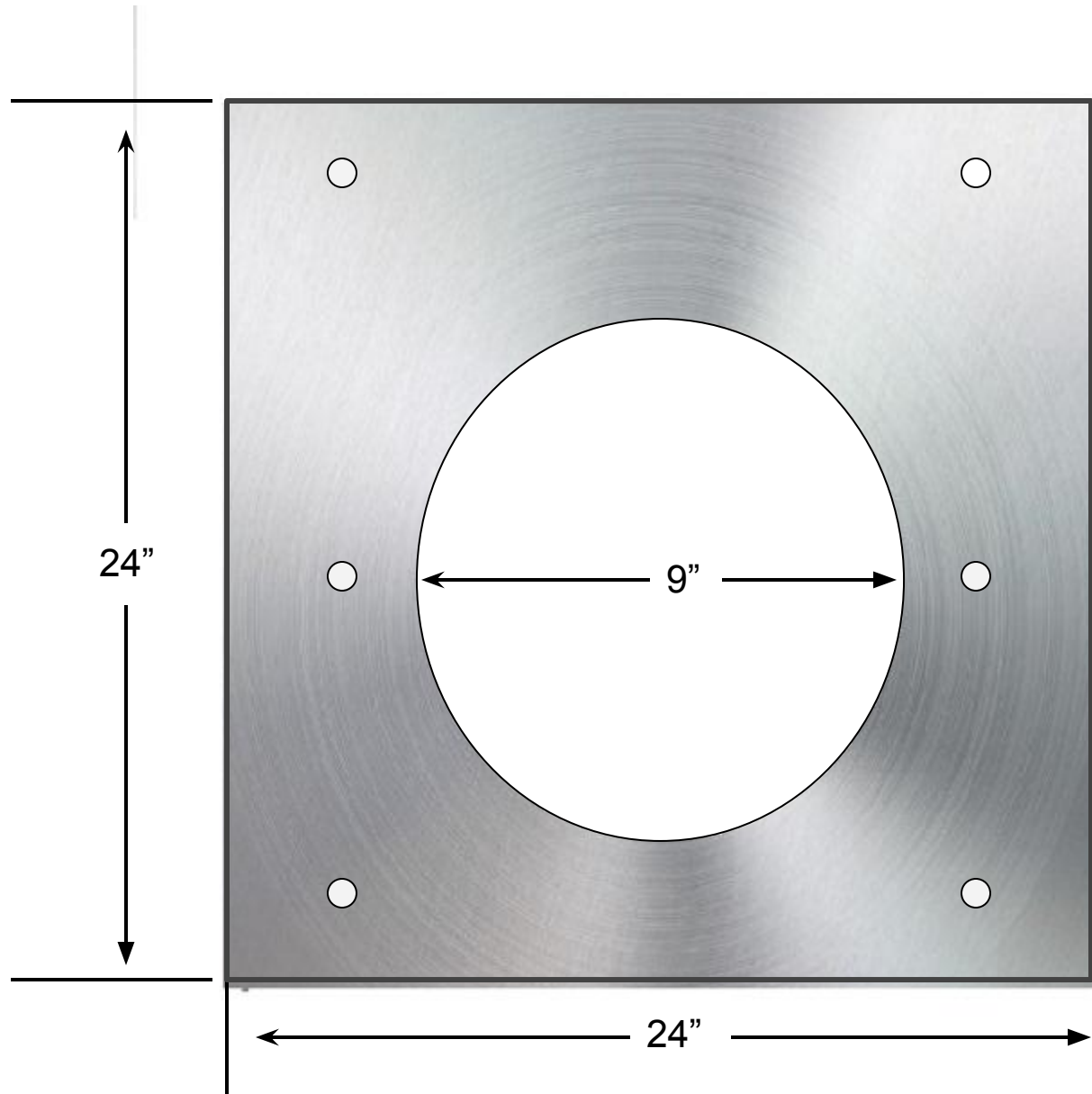


ROOF DRAIN PAN - 01



- 20 gauge galvanized steel
- Available in other gauges
- Available in stainless steel and aluminum
- Powder coating
- Accepts several different roof drain brands